

ARCO

DRIVEN BY ENGINES

WWW.ARCOMOTOR.COM

IN THE AUTOMOTIVE INDUSTRY, THERE ARE MORE SUPPLIERS THAN PARTS IN AN ENGINE. AND ALTHOUGH ONLY FEW ARE ABLE TO PROVIDE AN ORIGINAL EQUIPMENT QUALITY, WE ARE ONE OF THEM. AFTER MORE THAN THREE DECADES FOCUSING ON ENGINES, WE HAVE LEARNED A LOT, GROWN AND BECOME EXPERTS. OUR **QUALITY AND **EXPERTISE** ARE WELL RECOGNIZED, FROM THE ORIGINAL EQUIPMENT SUPPLIERS TO THE MECHANIC. AND WHILE SOME FOCUS ONLY ON A FEW MODELS, WE ARE CONSTANTLY **EXTENDING OUR RANGE**; WHICH WE KEEP IN STOCK. WHEN AN ENGINE STOPS, SO DO A LOT OF THINGS AS A RESULT. THAT'S WHY WE NEVER LET UP AND ARE ALWAYS HERE TO **SUPPORT**. WE MAKE SURE THAT OUR ENGINES DRIVE YOUR KIDS TO SCHOOL AND THAT THEY HELP DELIVER CRITICAL PARTS TO A MANUFACTURER. WHEN IT COMES TO THE RIGHT ENGINE PARTS AND GREAT SERVICE, THERE REALLY ISN'T MUCH CHOICE.**

WHO ARE WE?

ARCO Motor Industry Co., Ltd., established in 1981, is a professional engine parts exporter with fully operational sales and warehousing facilities in Taichung, Taiwan. Today, the company is a key player in the global marketplace, serving industries that range from automotive and commercial vehicles to agricultural and industrial.

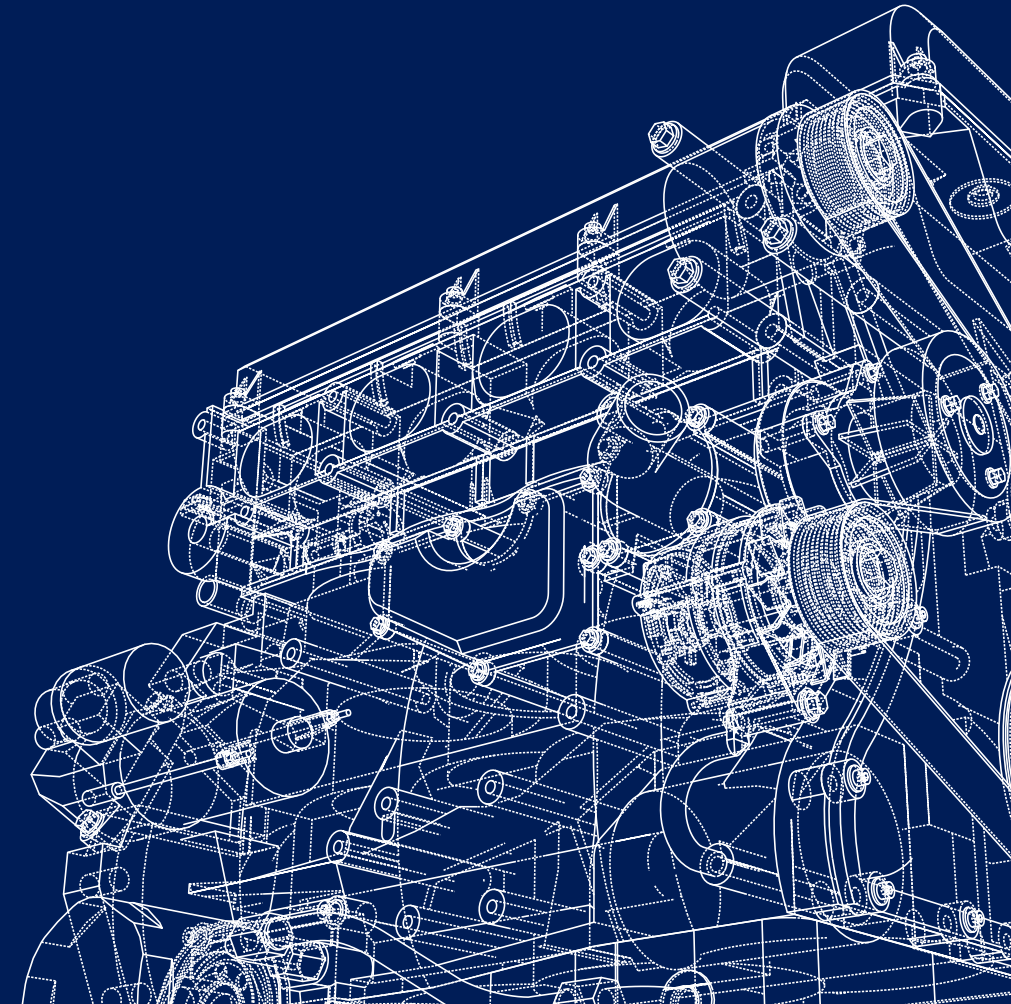
Our products portfolio includes complete liner kit, piston with rings kit, sleeve, piston, piston rings, bearing, gasket, valve, timing kit, oil pump, water pump, cylinder head, camshaft and turbocharger, etc.

Our mission is to provide you with the highest-quality products and services possible in a timely fashion and at a competitive price. Our goal is to meet and exceed your expectations.

***QUALITY
SERVICE
RELIABILITY***

PRODUCTS

***LINER KIT
PISTON WITH RINGS KIT
SLEEVE
PISTON
PISTON RINGS
ENGINE BEARING
ENGINE GASKET
ENGINE VALVE
TIMING KIT
OIL PUMP
WATER PUMP
CYLINDER HEAD
CAMSHAFT
TURBOCHARGER
CRANKSHAFT
CONNECTING ROD
AND MORE***



CRANKSHAFT & PISTON ASSEMBLY

Together with pistons and connecting rods, the crankshaft assembly converts linear motion into rotary motion, which are at all times under enormous stresses.

Piston rings, loaded against the cylinder wall or liner, also play a vital role in sealing gas, transferring heat and controlling oil.

Being at the core of an engine, the quality and precision of these components are of utmost importance. ARCO supplies an extensive range of all relevant parts covering diesel and gasoline engines for cars, trucks, tractors, buses, forklifts and industrial applications that give you trouble free performance.



ENGINE GASKET

Gaskets are among the most critical engine parts. Every single gasket supplied by ARCO is manufactured from top-quality materials with the latest technology and in accordance with the highest manufacturing standards. We have the most comprehensive range for practically all Japanese, Korean, European and American engines.



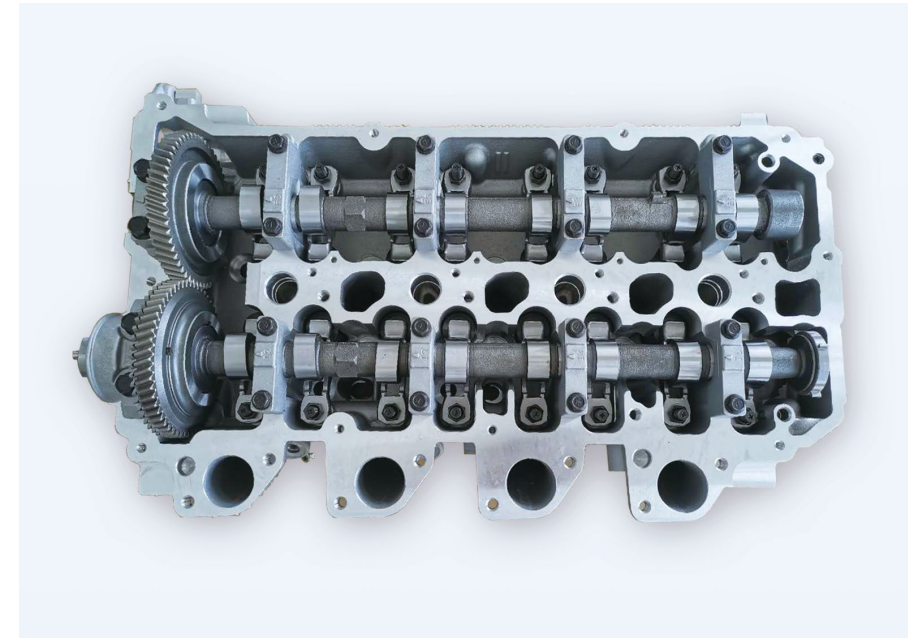
ENGINE BEARING

ARCO has built an extensive offering of engine bearings for automobiles, light-duty & heavy-duty trucks and marine, etc. Every bearing utilizes the highest quality materials and the most advanced designs to ensure complete customer satisfaction.



CYLINDER HEAD & ASSEMBLY

Every cylinder head is made for superior strength and durability. This requires that its components interact perfectly in order to achieve an effective gas exchange, and our quality control with its multiple tests warrants an efficient outcome. At ARCO, our goal is to provide only 100% quality components.



VALVE TRAIN

A valve train system controls the flow of gases into and out of the combustion chamber, which has to withstand extreme loads and stresses. We offer in our program not just a complete range of valves, but also valve guides, valve seats, camshafts, rocker arms, valve lifters and so on. The combined development of these products allows us the advantage of optimizing wear characteristics and minimizing component costs. With ARCO's focus on quality, you can be assured that all our products offer value for money and a long product lifespan.



TIMING KIT

The kits, which are specially adapted to each engine, contain all the relevant replacement parts such as chain, tensioner, guides, sprockets and gaskets. One of the most frequent damage symptoms in the chain drive is elongation of the timing chain: the tooth flanks no longer engage properly in the chain, resulting in wear to the flanks. Simple chain replacement is only a short-term remedy. The solution? ARCO timing chain kits.



OIL PUMP

Developments in engine technology are becoming increasingly complex. Today's engines are developing an increased appetite for oil and lubrication. In parallel, the power consumption of the pump must be reduced as much as possible to minimize CO2 emissions. ARCO's oil pumps are aimed for exceptional durability, efficiency and extended service-life in addition to meshing perfectly with existing systems.



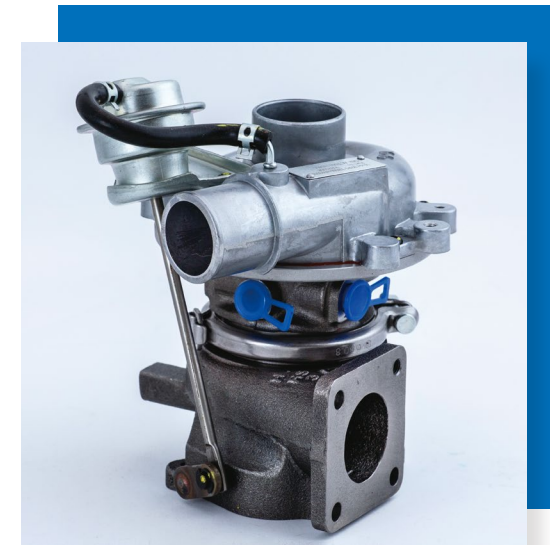
WATER PUMP

Water pumps work extremely hard on a daily basis. Only perfectly tuned components warrant maximum reliability in the long run. ARCO offers an extensive range of water pumps for aftermarket, manufactured according to industrial standards with high quality sealing and bearing.



TURBOCHARGER

A turbocharger consists of a compressor and a turbine mounted on a common shaft. It is installed on a diesel or gasoline engine for the purpose of increasing the power density of that engine. In short, turbochargers are used to enhance the performance and optimize the combustion. ARCO turbocharger multiplies power.



ARCO

DRIVEN BY ENGINES



ARCO MOTOR INDUSTRY CO., LTD.

太立實業股份有限公司

66, Sec. 2, Zhongtou West Rd.,
Wufeng, Taichung 41355, Taiwan

41355台中市霧峰區中投西路二段66號

 886 4 23319797

 886 4 23301507

 arco@arcomotor.com